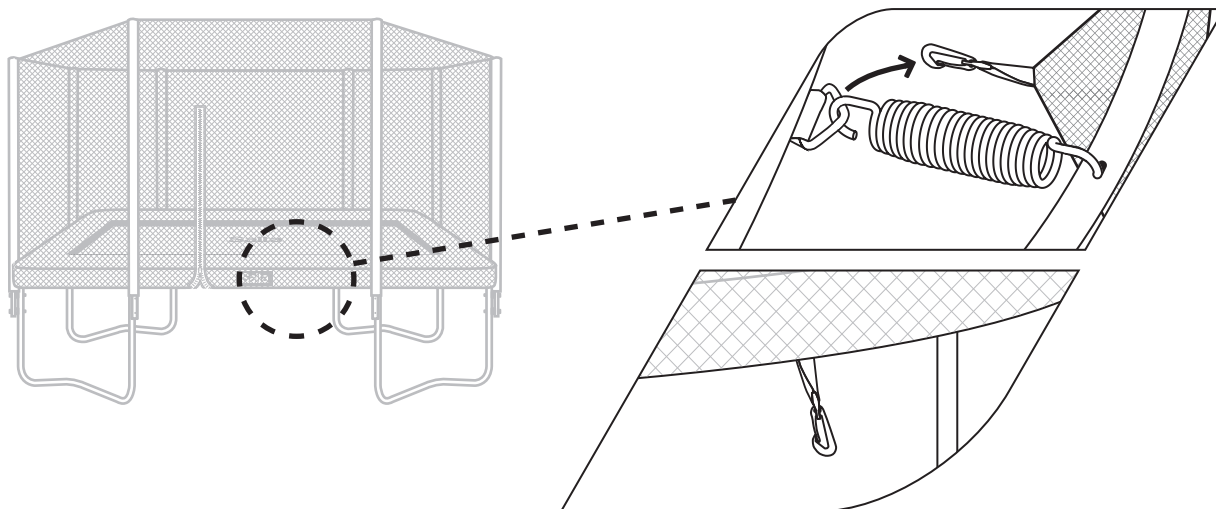
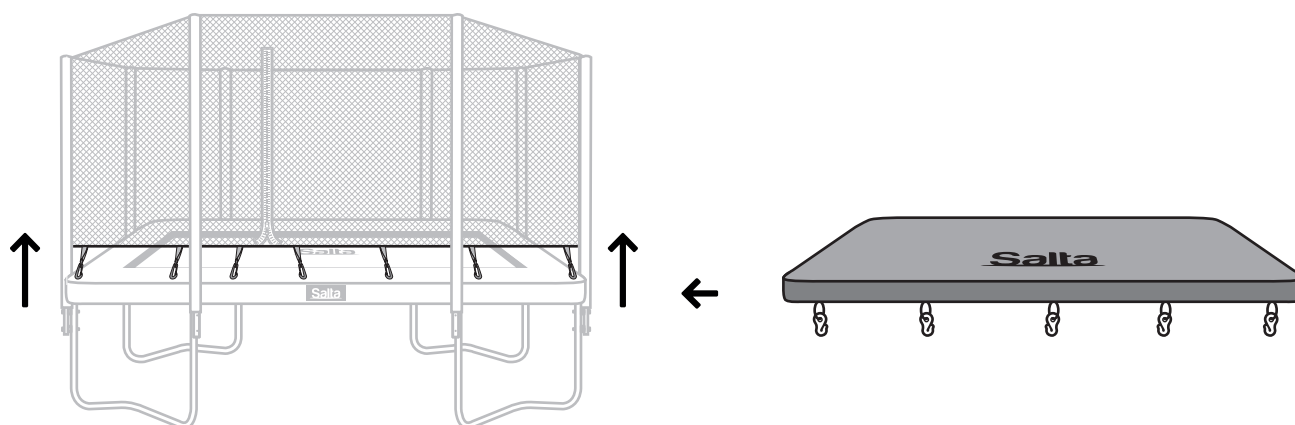


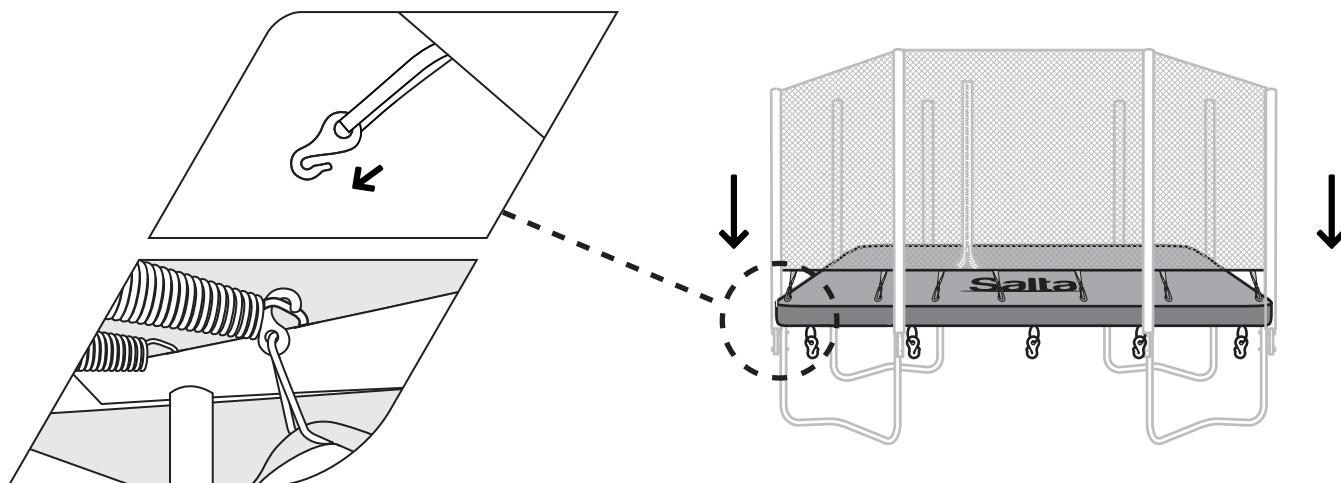
# 1 SALTA REGULAR TRAMPOLINES



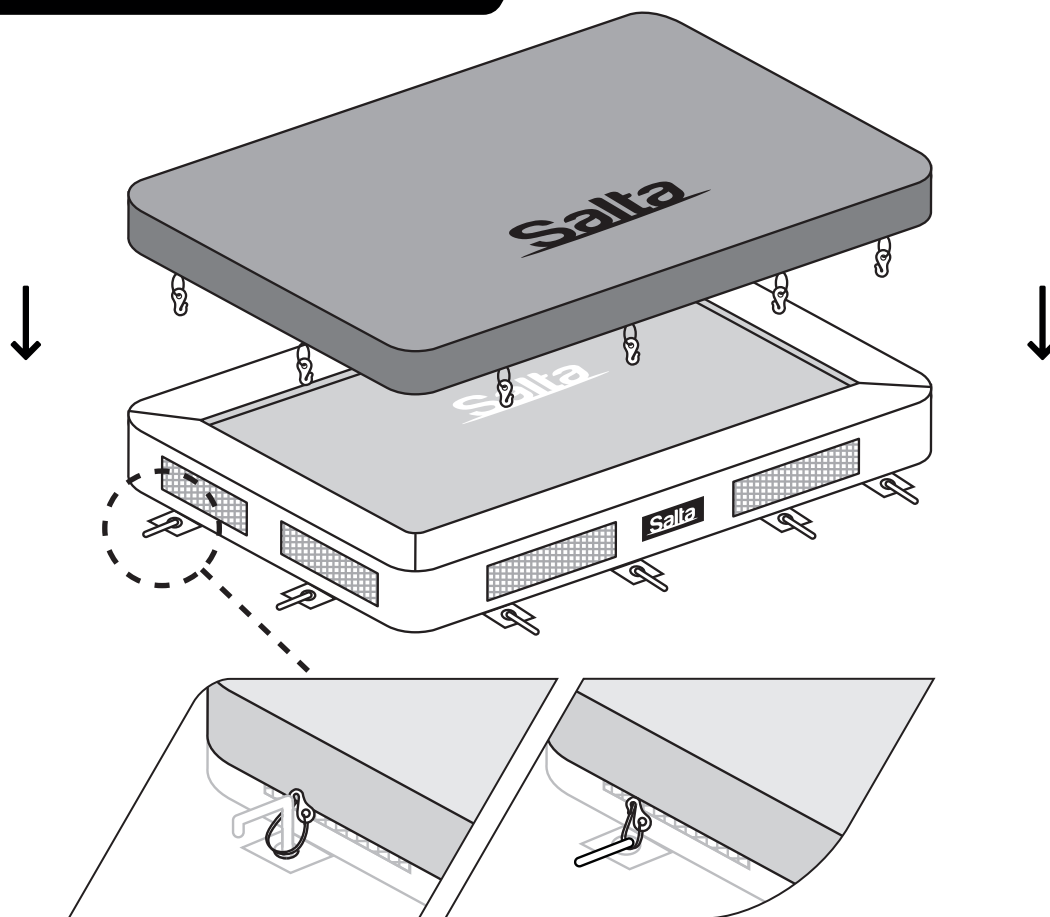
2



3



**1 INGROUND TRAMPOLINES**



**1 GROUNDLEVEL TRAMPOLINES**

